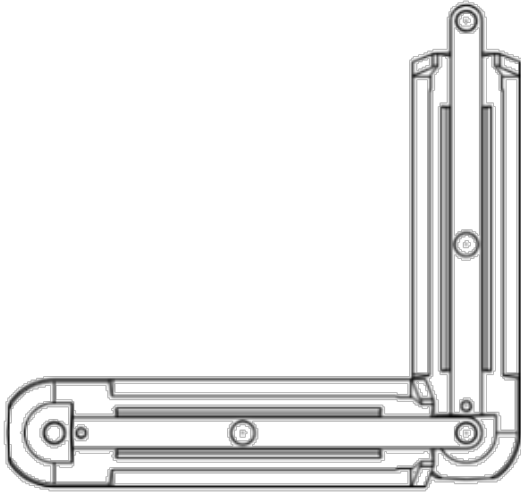


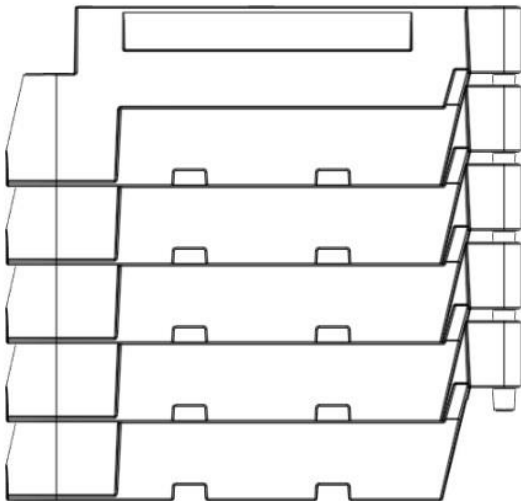
GAPLESS
CORNER



GAPLESS
STRAIGHT



STACKED
X 5 HIGH



PRODUCT CODE NVSV

WL 2000MM

W 520MM

H 800MM

TL 2300

WEIGHT E/ F 25KG /180KG

BARRIER CAPACITY 155L

PER PALLET 10

FULL LOAD 135

MATERIAL UV MDPE

COLOUR RED / WHITE / CUSTOM

REFLECTIVE PANEL OPTIONAL

MIRA WIND SPEED 68 MPH

